

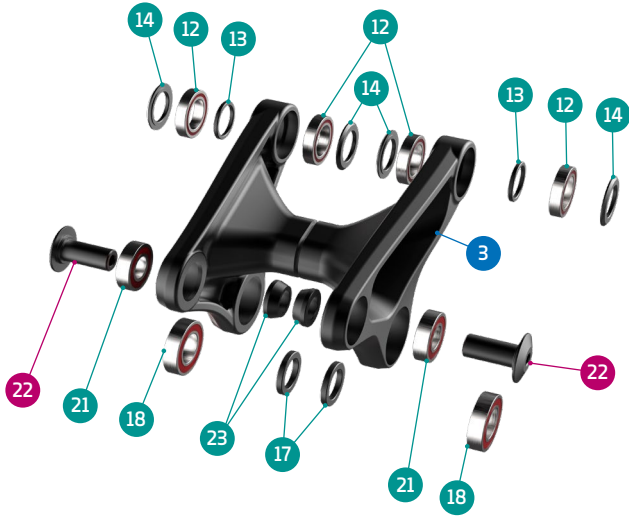
- Grease
- Threadlocker
- Grease + Threadlocker

Apply grease to the shaft, and locker to the threads

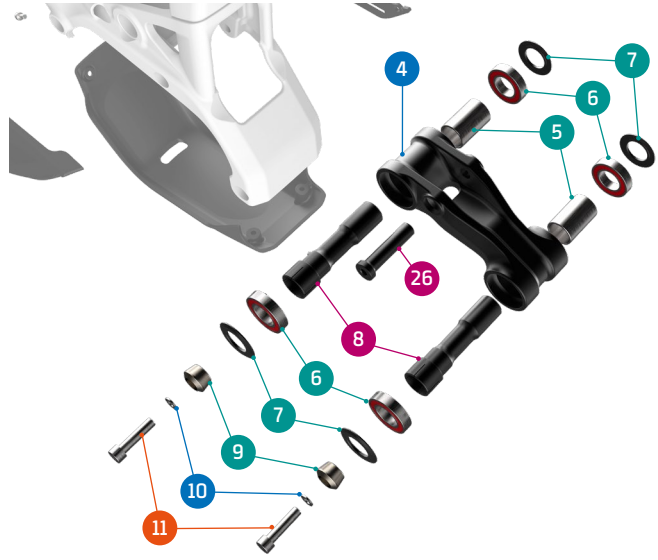
ITEM No.	DESCRIPTION	QTY.	PART NUMBER	TORQUE
1	FRONT TRIANGLE	1		
2	REAR TRIANGLE	1		
3	UPPER LINK	1		
4	LOWER LINK	1	099.20040	
5	SPACER, 17x22x30L	2	SET 4	
6	BEARING, 30x17x7	4	SET 1	
7	SPACER, 15x27x2	4	SET 4	
8	MAIN PIVOT AXLE, 17X60	2	SET 4	12Nm
9	TAPER NUT	2	SET 4	
10	SPACER	2	SET 4	
11	SCREW BOLT	2	SET 4	10Nm
12	BEARING, 24X15X5	4	SET 1	
13	SPACER, 15x19x2t	2	SET 3	
14	SPACER, 15x24x2	4	SET 3	
15	PIVOT AXLE, 26MM	2	SET 3	
16	PIVOT AXLE, M12	2	SET 3	12Nm
17	SPACER, 15x22x3	2	SET 3	
18	BEARING, 28x15x7	2	SET 1	
19	M8 THREAD AXLE	1	SET 3	
20	LINK AXLE	2	SET 3	11Nm

ITEM No.	DESCRIPTION	QTY.	PART NUMBER	TORQUE
21	BEARING, 10x22x6	2	SET 1	
22	SHOCK BOLT	2	SET 2	8Nm
23	SPACER, 10x17x6	2	SET 2	
24	HANGER	1	SET 5	
25	HANGER NUT	1	SET 5	4Nm
26	SHOCK BOLT	1	SET 2	16Nm
27	CABLE RUBBER	1	989.13010	
28	COVERS	2	099.20028	
29	BATTERY BRACKET	2	SET 7	
30	BATTERY BRACKET	2	SET 7	
31	CABLE GUIDE	2	SET 6	
32	SCREW BOLT M3x8	2	SET 6	3Nm
33	RUBBER COVER	1	099.20030	
34	MOTOR BOLTS T40x18	4	099.20031	40Nm
35	SCREW BOLT M5x20	4	SET 7	5Nm
36	SCREW BOLT M4x10	4	099.15032	4Nm
37	MOTOR SPACER	2	099.20032	
38	MOTOR BOLTS T40x36	2	099.20033	40Nm
39	MOTOR COVER BOLT	1	099.20034	

DETAIL 01

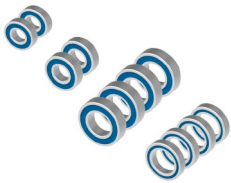


DETAIL 02



SET 1

ZERO BEARING KIT 20



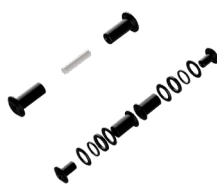
SET 2

SHOCK HARDWARE KIT 13



SET 3

UPPER LINK KIT 26



SET 4

LOWER LINK KIT 24



SET 5

HANGER M068 + NUT



PART NUMBER	DESCRIPTION	COMPONENTS
099.20101	SET 1: ZERO BEARING KIT 20	BEARING, 30x17x7 (x4) / BEARING, 24X15X5 (x4) / BEARING, 28x15x7 (x2) / BEARING, 10x22x6 (x2)
099.20201	SET 2: SHOCK HARDWARE KIT 13	SHOCK BOLT (x2) / SPACER, 10x17x6 (x2) / SHOCK BOLT (x1)
099.20301	SET 3: UPPER LINK KIT 26	SPACER, 15x19x2t (x2) / SPACER, 15x24x2 (x4) / M8 THREAD AXLE (x1) / LINK AXLE (x2) / PIVOT AXLE, 26MM (x2) / PIVOT AXLE, M12 (x2) / SPACER, 15x22x3 (x2)
099.20401	SET 4: LOWER LINK KIT 24	TAPER NUT (x2) / SPACER (x2) / SCREW BOLT (x2) / SPACER, 15x27x2 (x4) / MAIN PIVOT AXLE, 17X60 (x2) / SPACER, 17x22x30L (x2)
099.00055	SET 5: HANGER M068 + NUT	HANGER (x1), HANGER NUT (x1)
099.19010	SET 6: CABLE GUIDE KIT 3	CABLE GUIDE (x1) / SCREW BOLT (x1)
099.20029	SET 7: BATTERY BRACKET KIT 1	BATTERY BRACKET (x1) / BATTERY BRACKET (x1) / SCREW BOLT (x2)
112.90022	REAR AXLE	12X148 P1.75 L180
099.20017	CHAINSTAY PROTECTOR	
124.20401	ROTOR MAGNET SPEED SENSOR SHIMANO	
099.20056	YOKE PROTECTOR	