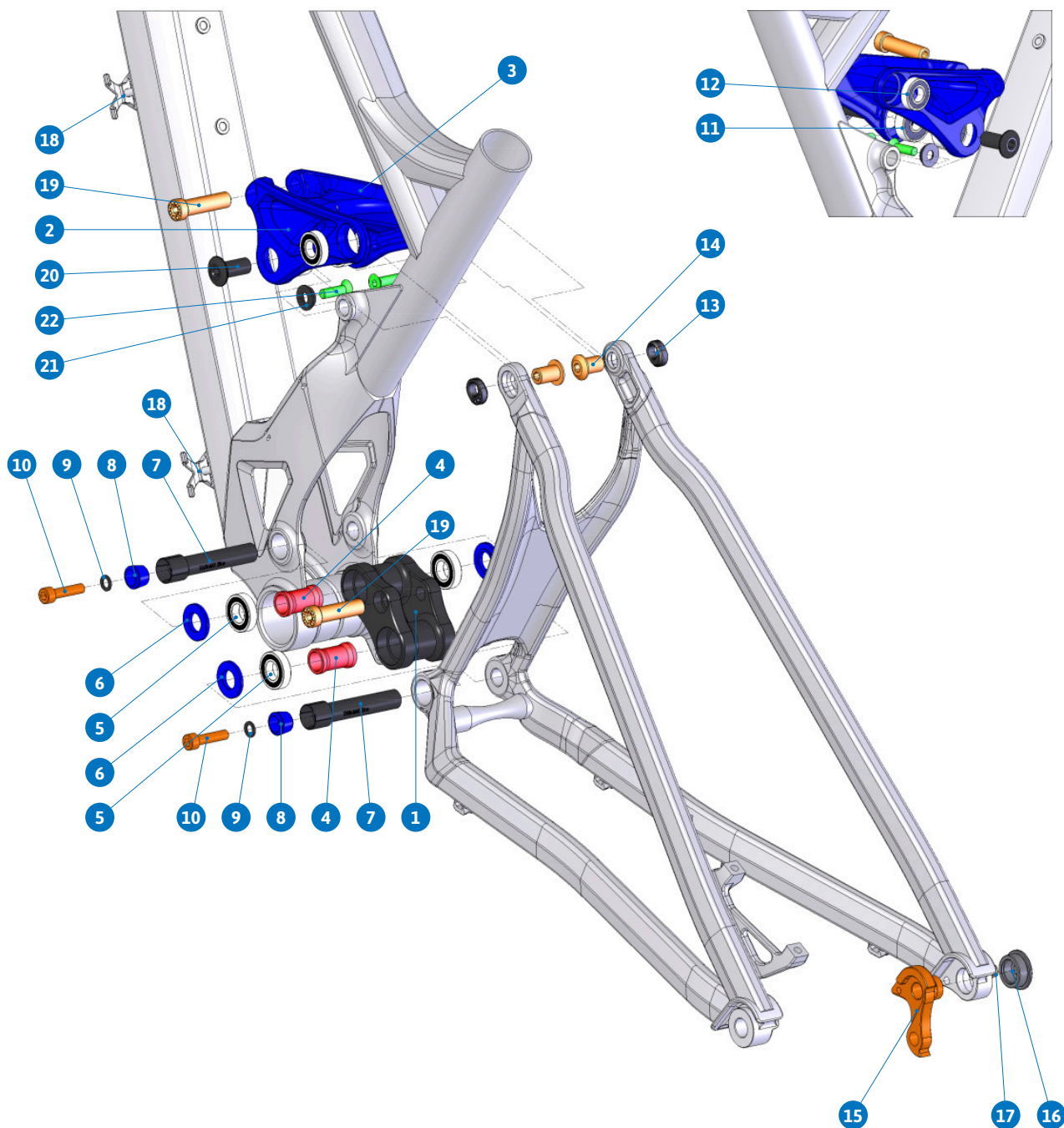


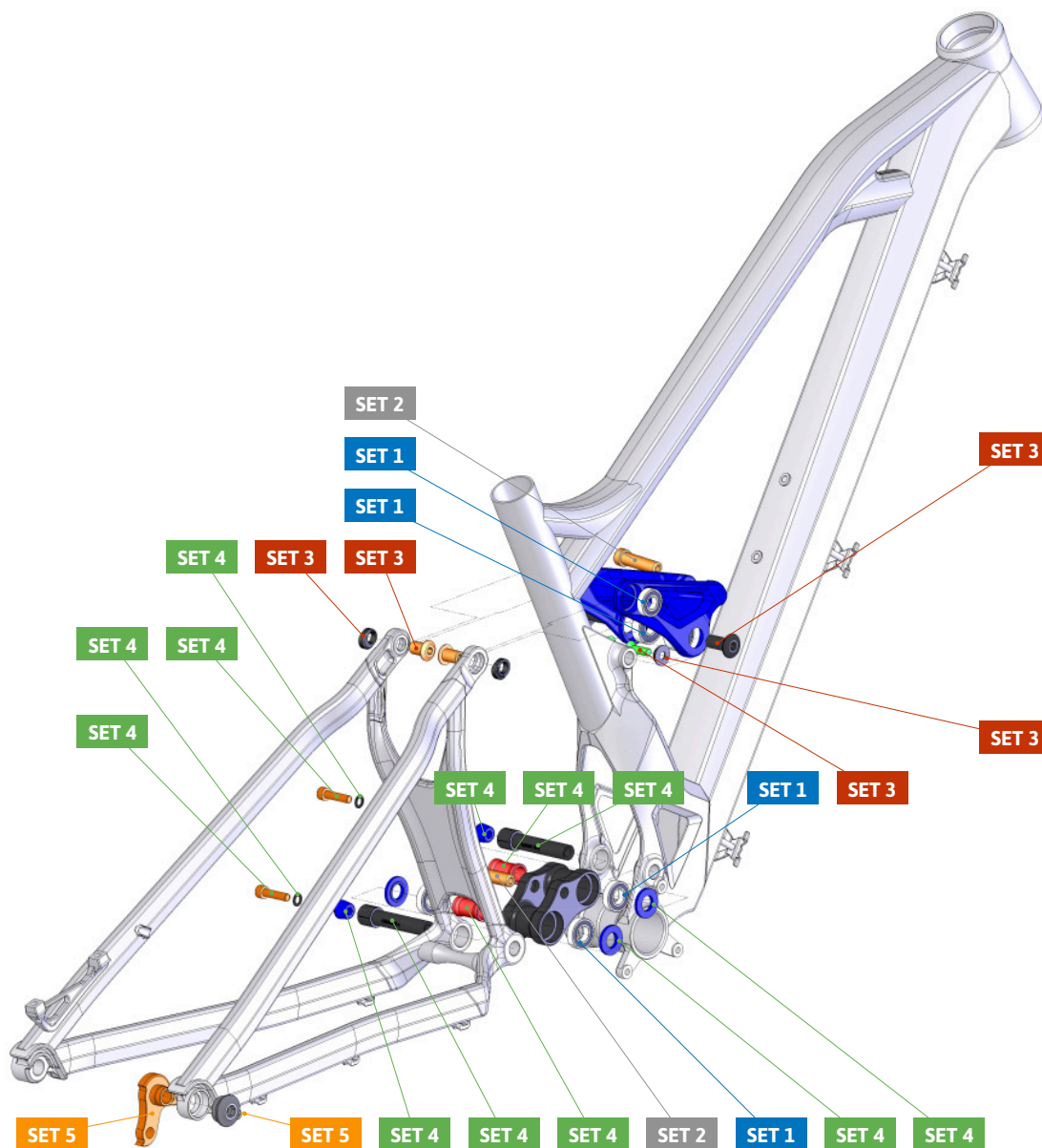
SPARE PARTS

CRAFTY +



ITEM No.	DESCRIPTION	QTY.
1	LOWER LINK	1
2	UPPER LINK LEFT	1
3	UPPER LINK RIGHT	1
4	SPACER D16xD12x27	2
5	BEARING 6901V-2RS (INT. 12mm. EXT 24mm)	4
6	SPACER D23.5xD12x3mm	4
7	PIVOT AXLE M12X70.5mm	2
8	TAPER NUT 10.5mm	2
9	SPACER D10xD6X1mm	2
10	M6x25L-P-S SCREW BOLT	2
11	BEARING 6000-2RS (INT. 10mm. EXT 26mm)	2

ITEM No.	DESCRIPTION	QTY.
12	BEARING 6900-RS (INT. 10mm. EXT 22mm)	2
13	AXLE NUT M10x5,75	2
14	PIVOT AXLE M10x15	2
15	HANGER M066	1
16	HANGER NUT	1
17	SCREW BOLT	1
18	CABLE GUIDE	3
19	BOLT M10x36	2
20	LINK AXLE	2
21	BEARING CAP	2
22	M6x20L-M SCREW BOLT	2



PART NUMBER	DESCRIPTION	COMPONENTS
099.16111	SET 1: ZERO BEARING KIT 12	BEARING 6900-RS (INT. 10mm. EXT 22mm) (x2) / BEARING 6000-2RS (INT. 10mm. EXT 26mm) (x2) / BEARING 6901V-2RS (INT. 12mm. EXT 24mm) (x4)
099.12002	SET 2: SHOCK HARDWARE ZERO 1	BOLT M10x36 (x2)
099.16112	SET 3: UPPER LINK KIT 18	PIVOT AXLE M10x15 (x2) / AXLE NUT M10x5,75 (x2) / LINK AXLE (x2) / BEARING CAP (x2) / M6x20L-M SCREW BOLT (x2)
099.16113	SET 4: LOWER LINK KIT 18	SPACER D16xD12x27 (x2) / SPACER D23.5xD12x3mm (x4) / PIVOT AXLE M12X70.5mm (x2) / SPACER D10XD6X1mm (x2) / TAPER NUT 10.5mm (x2) M6x25L-P-S SCREW BOLT (x2)
099.00053	HANGER M066 + NUT	HANGER M066 (x1) / HANGER NUT (x1) / SCREW BOLT (x1)