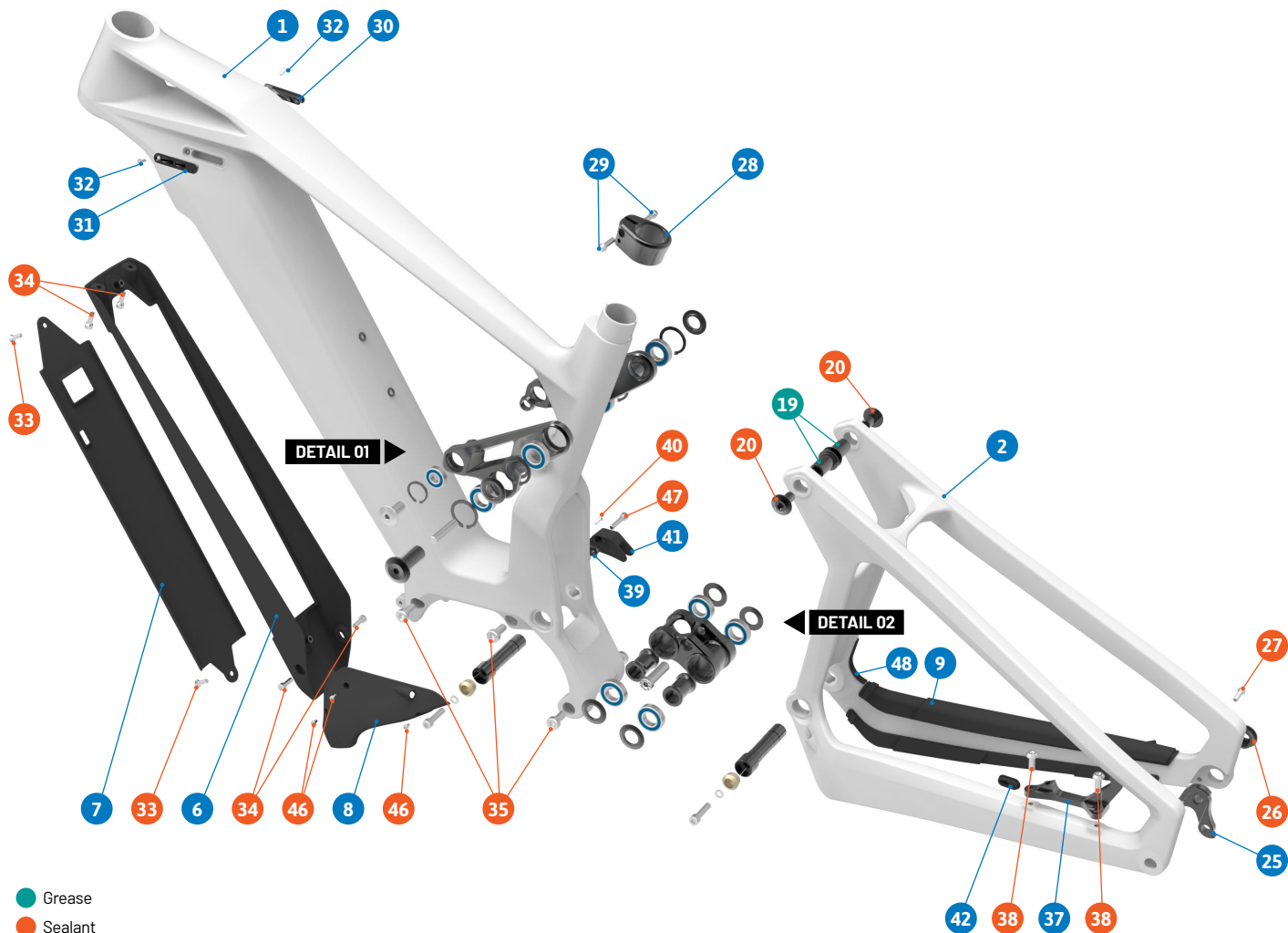


CRUSHER CARBON +

Spare Parts



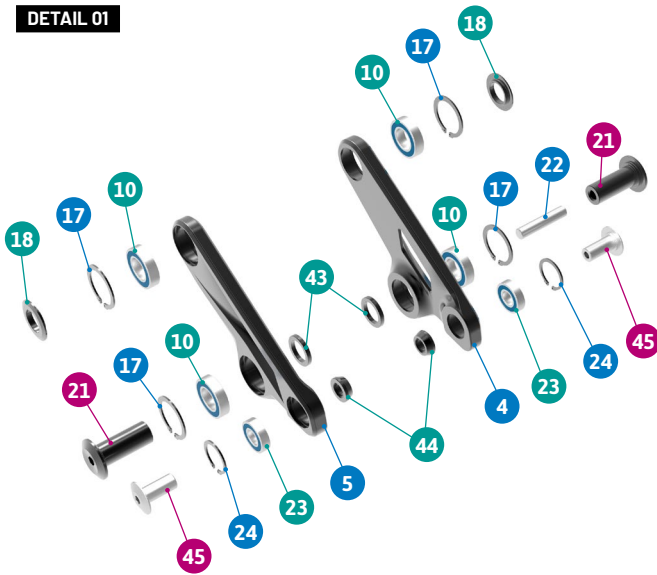
- Grease
- Sealant
- Grease + Sealant

Apply grease to the shaft,
and sealant to the threads

ITEM No.	DESCRIPTION	QTY.	PART NUMBER	TORQUE
1	FRONT TRIANGLE	1		
2	REAR TRIANGLE	1		
3	LOWER LINK	1		
4	UPPER LINK LEFT	1		
5	UPPER LINK RIGHT	1		
6	BATTERY COVER, MAIN	1	099.18008	
7	BATTERY COVER, SMALL	1	099.18009	
8	MOTOR COVER, LEFT	1	099.18010	
9	CHAIN PROTECTOR	1	099.18006	
10	BEARING, 28x15x7	8	SET1	
11	SPACER, 15x22x31	2	SET4	
12	MAIN AXLE	2	SET4	12Nm
13	TAPER NUT	2	SET4	
14	SPACER	2	SET4	
15	SCREW BOLT M6x25	2	SET4	10Nm
16	SPACER, 15x27x2	4	SET4	
17	C-RING	4	SET3	
18	SPACER, 15x27x4	2	SET3	
19	PIVOT AXLE, 26MM	2	SET3	
20	PIVOT AXLE, M12	2	SET3	12Nm
21	LINK AXLE	2	SET3	11Nm
22	M8 THREAD AXLE	1	SET3	
23	BEARING, 10x22x6	2	SET1	
24	C-RING	2	SET3	

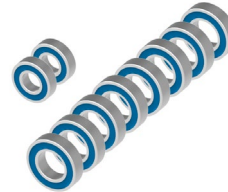
ITEM No.	DESCRIPTION	QTY.	PART NUMBER	TORQUE
25	HANGER	1	SET5	
26	HANGER NUT	1	099.16011	4Nm
27	SCREW BOLT M5x10	1	SET5	4Nm
28	SEAT CLAMP	1	099.18005	
29	SCREW BOLT M5x20	2		5Nm
30	CABLE GUIDE, DOUBLE/Di2	1	099.18011	
31	CABLE GUIDE, DOUBLE	1	099.18011	
32	SCREW BOLT M3x10	2		3Nm
33	SCREW BOLT M5x15	2		5Nm
34	SCREW BOLT M5x15	4		5Nm
35	MOTOR BOLT	6		18-20Nm
36	SLEEVE BOLT	1	SET2	16Nm
37	DISC MOUNT	1	099.18012	
38	SCREW BOLT	2		8Nm
39	CHAIN GUIDE ADAPTOR	1	SET6	
40	SCREW BOLT M5x10	1	SET6	5Nm
41	CHAIN GUIDE	1	SET6	
42	CABLE RUBBER	1	989.13038	
43	SPACER, 15x22x3	2	SET3	
44	SPACER, 10x17x6	2	SET2	
45	SHOCK BOLT	2	SET2	8Nm
46	SCREW BOLT M3x5	3		4Nm
47	SCREW BOLT M5x25	1		5Nm
48	CHAIN PROTECTOR, SMALL	1	099.18014	

DETAIL 01



SET 1

ZERO BEARING KIT 15
(ENDURO BEARINGS)



SET 2

SHOCK HARDWARE ZERO 10



SET 3

UPPER LINK KIT 21



SET 4

LOWER LINK KIT 21



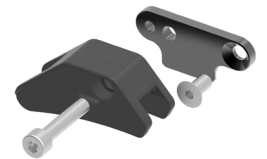
SET 5

HANGER M066

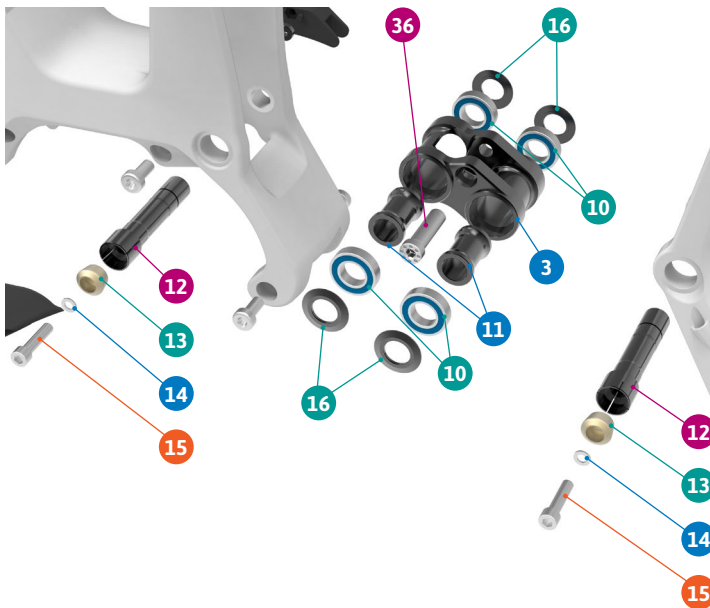


SET 6

CHAIN GUIDE KIT



DETAIL 02



PART NUMBER	DESCRIPTION	COMPONENTS
099.18109	SET 1: ZERO BEARING KIT 15 (ENDURO BEARINGS)	ENDURO BEARING, 28x15x7(x8) / ENDURO BEARING, 10x22x6 (x2)
099.18102	SET 2: SHOCK HARDWARE ZERO 10	SPACER, 10x17x6 (x2) / SHOCK BOLT (x2) / SLEEVE BOLT (x1)
099.18110	SET 3: UPPER LINK KIT 21	C-RING (x4) / SPACER, 15x27x4 (x2) / MPIVOT AXLE, 26MM (x2) / PIVOT AXLE, M12 (x2) / LINK AXLE (x2) / M8 THREAD AXLE (x1) / C-RING (x2) / SPACER, 15x22x3 (x2)
099.18111	SET 4: LOWER LINK KIT 21	SPACER, 15x22x31 (x2) / MAIN AXLE (x2) / TAPER NUT (x2) / SPACER (x2) / SCREW BOLT (x2) / SPACER, 15x27x2 (x4)
099.00053	SET 5: HANGER M066	HANGER (x1), HANGER NUT (x1) / SCREW BOLT (x1)
099.18007	SET 6: CHAIN GUIDE KIT	CHAIN GUIDE ADAPTOR (x1) / SCREW BOLT (x1) / CHAIN GUIDE (x1) / SCREW BOLT (x1)
112.90022	REAR AXLE	12X148 P1.75 L180