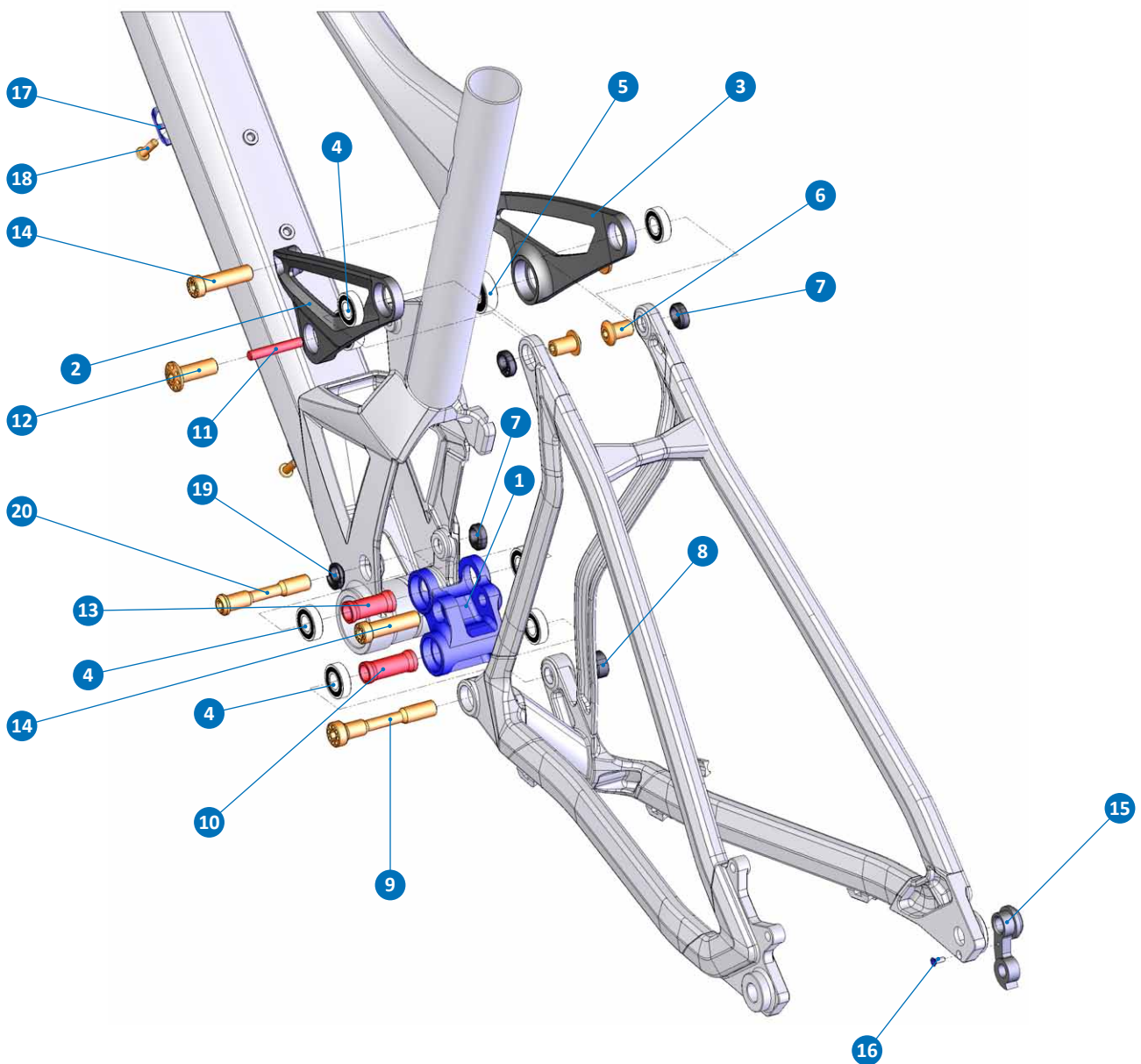


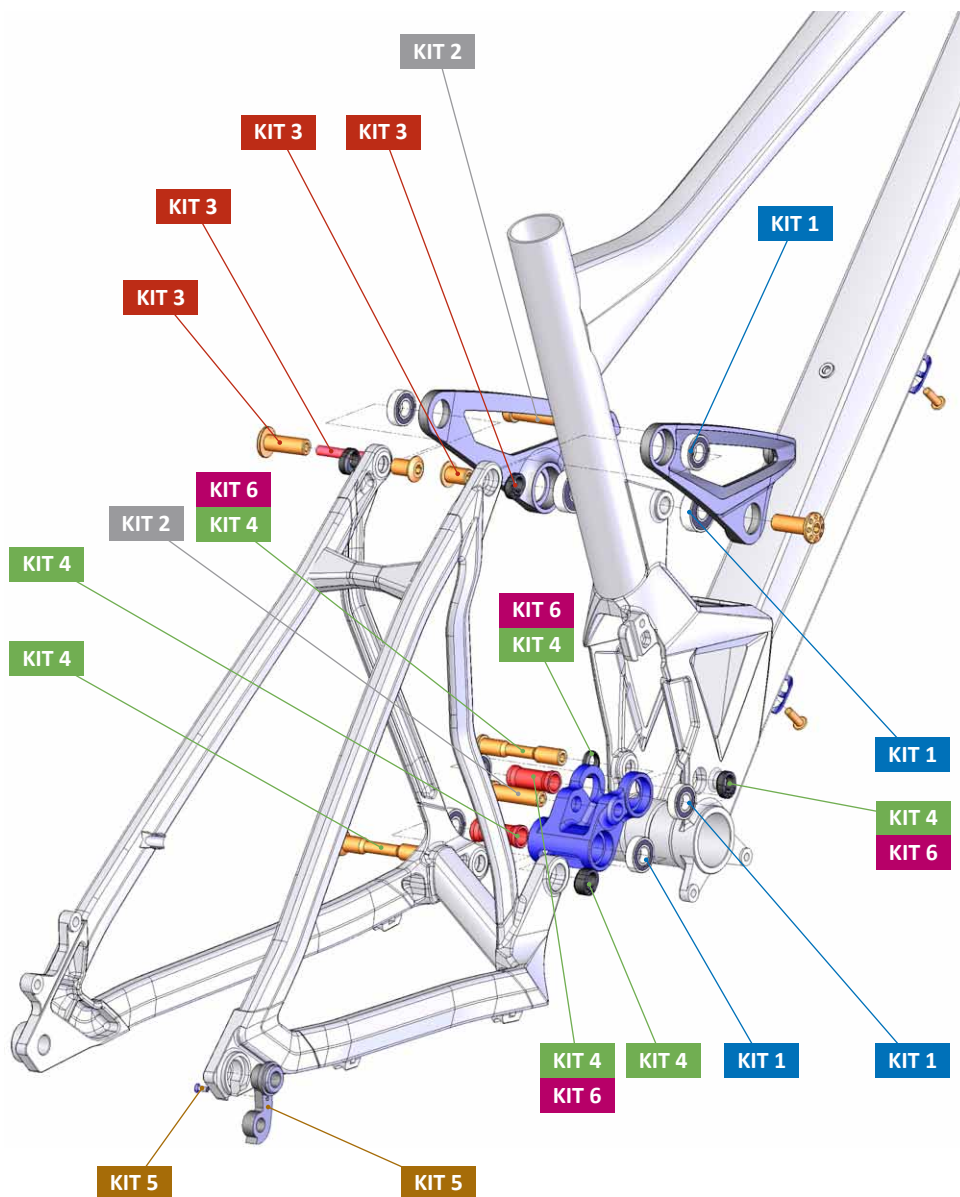
DUNE



ITEM No.	DESCRIPTION	QTY.
1	LOWER LINK	1
2 - 3	UPPER LINK	1
4	BEARING 6900-RS	6
5	BEARING 6000-2RS	2
6	PIVOT AXLE M10x15	2
7	AXLE NUT M10x5,75	3
8	AXLE NUT M10x8.85	1
9	PIVOT AXLE M10x63	1
10	SPACER D14x35	1
11	SCREW AXLE M6x40	1

ITEM No.	DESCRIPTION	QTY.
12	AXLE D10x28	2
13	SPACER D14x32	1
14	BOLT M10x36	2
15	M047 HANGER	1
16	M3x8L-M	1
17	CABLE HOLDER	3
18	M5x15L-R-S	3
19	AXLE NUT M10x6	1
20	PIVOT AXLE M10x60	1

DUNE



PART NUMBER	DESCRIPTION	COMPONENTS
099.12001	KIT 1: ZERO BEARING KIT	BEARING 6900-RS (x6) / BEARING 6000-2RS (x2)
099.12002	KIT 2: SHOCK HARDWARE ZERO 1	BOLT M10x36 (x2)
099.12004	KIT 3: UPPER LINK KIT 2	AXLE D10x28 (x2) / PIVOT AXLE M10x15 (x2) / AXLE NUT M10x5,75 (x2) / SCREW AXLE M6x40
099.13100	KIT 4: LOWER LINK KIT 8	PIVOT AXLE M10x63 / AXLE NUT M10x8.85 / AXLE NUT M10x5,75 / SPACER D14x35 / PIVOT AXLE M10 x 60 / AXLE NUT M10x6 / SPACER D14x32
099.12009	KIT 5: HANGER KIT 1*	M006 HANGER / M5x10L-M (x2)
099.12010	KIT 5: HANGER KIT 2**	M047 HANGER / M3x8L -M
099.13101	KIT 6: LOWER LINK KIT 9 RETRO FIT	AXLE NUT M10x5,75 / PIVOT AXLE M10x60 / AXLE NUT M10x6 / SPACER D14x32

* Dune ** Dune R, Dune RR and Dune XR