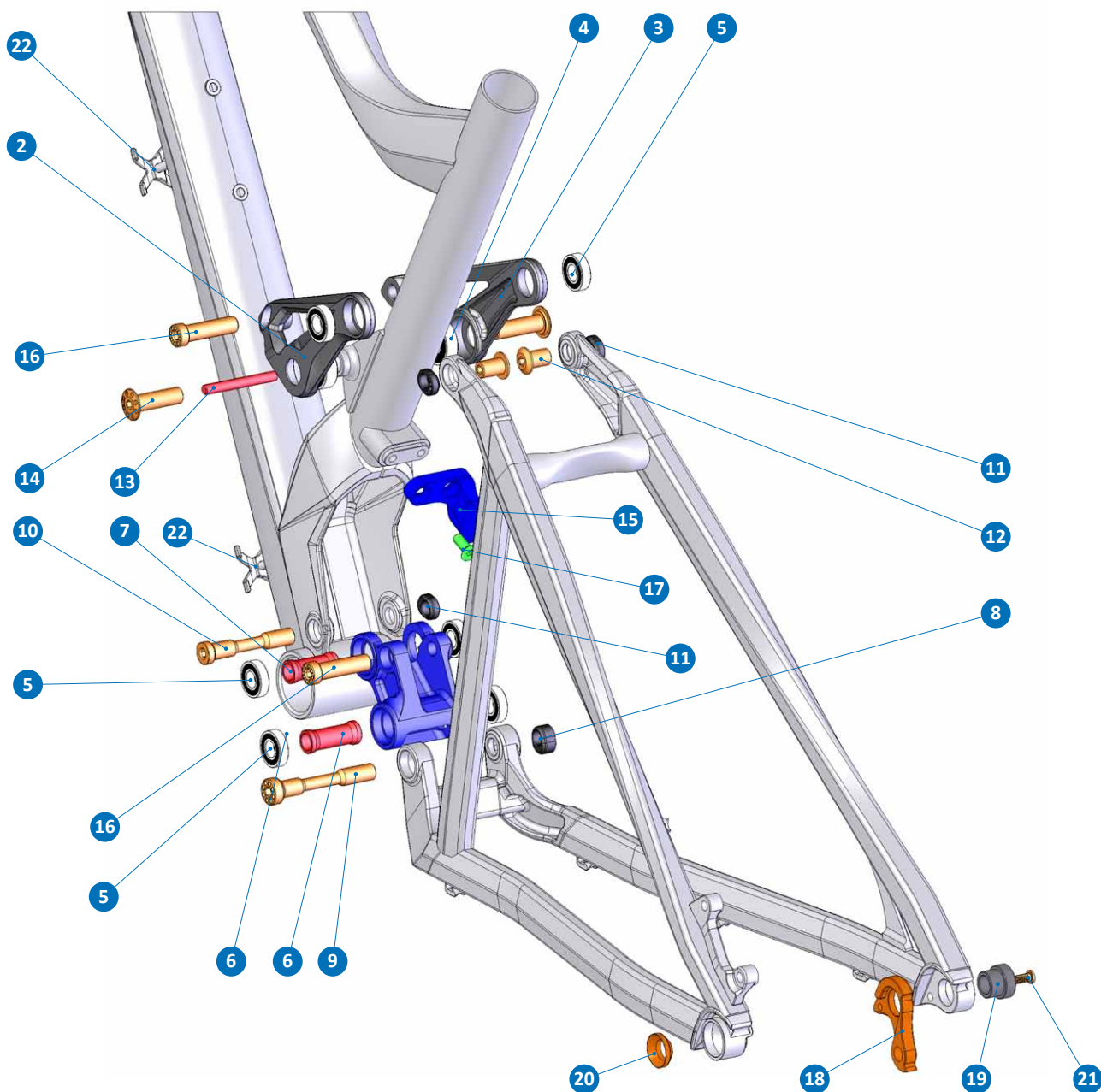


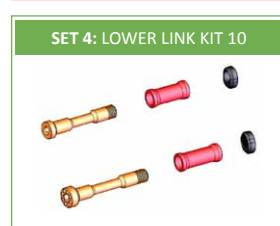
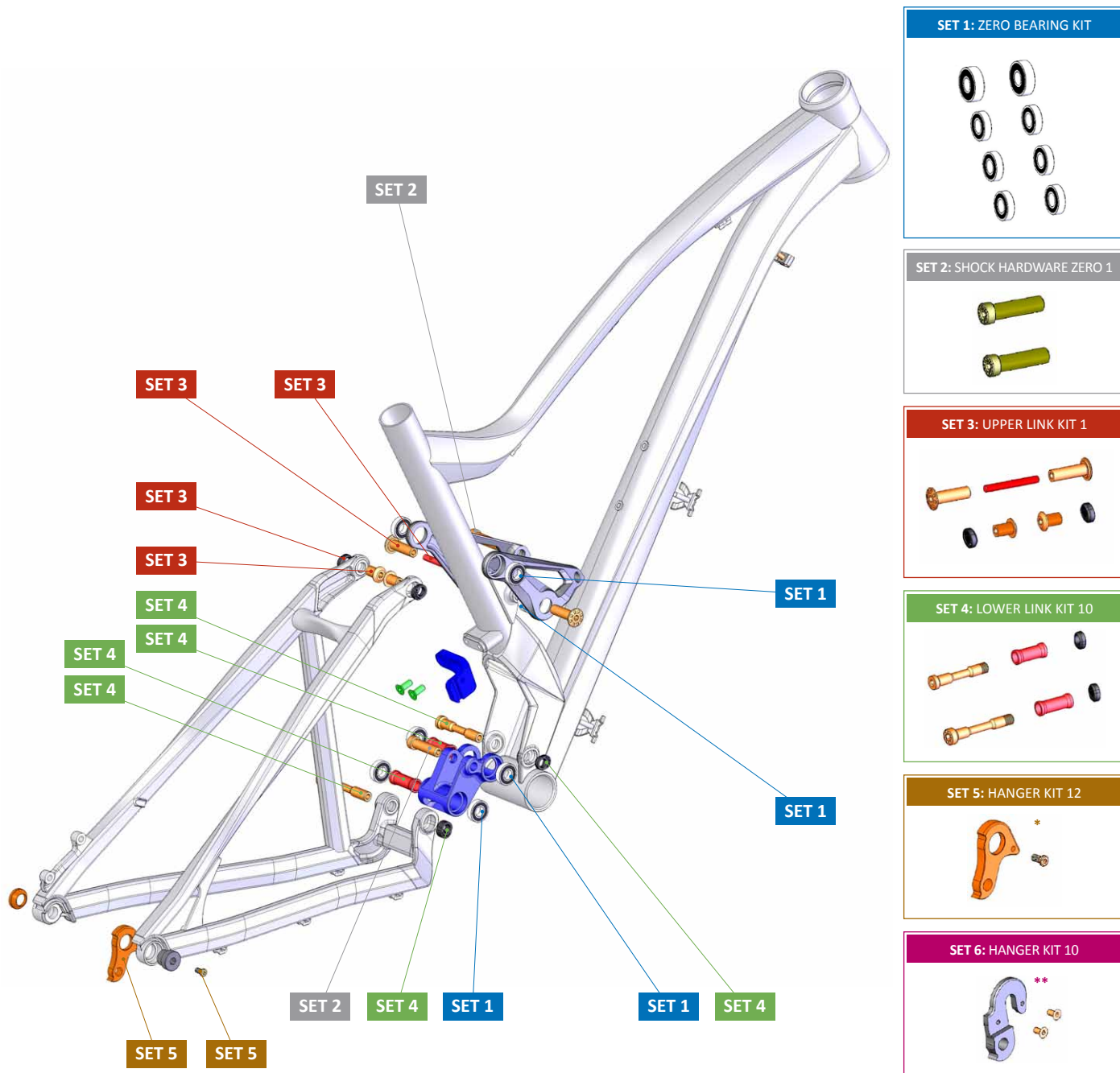
FACTOR



ITEM No.	DESCRIPTION	QTY.
1	LOWER LINK	1
2-3	UPPER LINK	1
4	BEARING 6000-2RS	2
5	BEARING 6900-RS	6
6	SPACER D14x35	1
7	SPACER D14x32	1
8	AXLE NUT M10x8.85	1
9	PIVOT AXLE M10x63	1
10	PIVOT AXLE M10x55	1
11	AXLE NUT M10x5,75	3
12	PIVOT AXLE M10x15	2

ITEM No.	DESCRIPTION	QTY.
13	SCREW AXLE M6x40	1
14	PIVOT AXLE D10x32	2
15	FD HOLDER	1
16	BOLT M10x36	2
17	SCREW BOLT M6xP1.0	2
18	HANGER M062	1
19	HUB NUT	1
20	WASHER	1
21	SCREW BOLT	3
22	CABLE HOLDER	3

FACTOR



PART NUMBER	DESCRIPTION	COMPONENTS
099.12001	SET 1: ZERO BEARING KIT	BEARING 6900-RS (x6) / BEARING 6000-2RS (x2)
099.12002	SET 2: SHOCK HARDWARE ZERO 1	BOLT M10x36 (x2)
099.12003	SET 3: UPPER LINK KIT 1	SCREW AXLE M6x40 (x1) / PIVOT AXLE M10x15 (x2) / PIVOT AXLE D10x32 (x2) / AXLE NUT M10x5,75 (x2)
099.13102	SET 4: LOWER LINK KIT 10	PIVOT AXLE M10x63 (x1) / AXLE NUT M10x8.85 (x1) / AXLE NUT M10x5,75 (x1) / SPACER D14x35 (x1) / SPACER D14x32 (x1) / PIVOT AXLE M10x55 (x1)
099.14101	SET 5: HANGER KIT 12*	HANGER M062 (x1) / SCREW BOLT (x1)
099.13109	SET 6: HANGER KIT 10**	HANGER M053 (x1) / M4x8L-M SCREW BOLT (x2)
099.14003	FD HOLDER FACTOR 2014	

\* Factor R and Factor XR \*\* Factor