

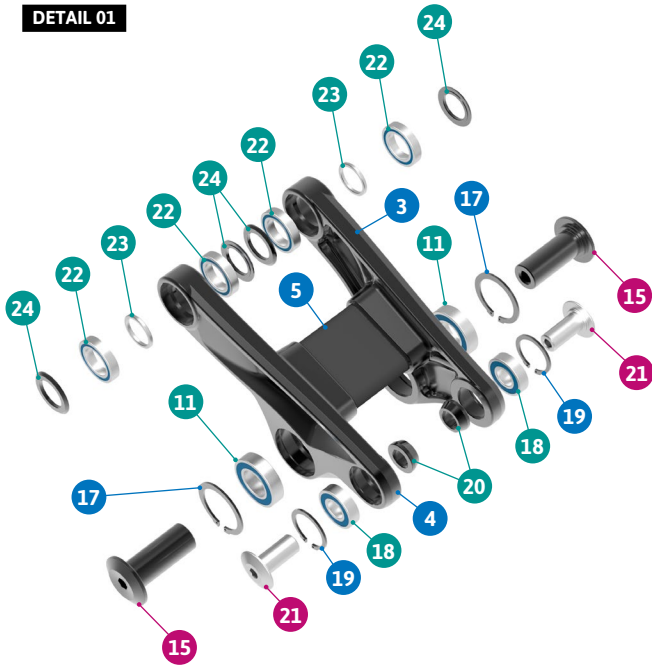
- Grease
- Sealant
- Grease + Sealant

Apply grease to the shaft,
and sealant to the threads

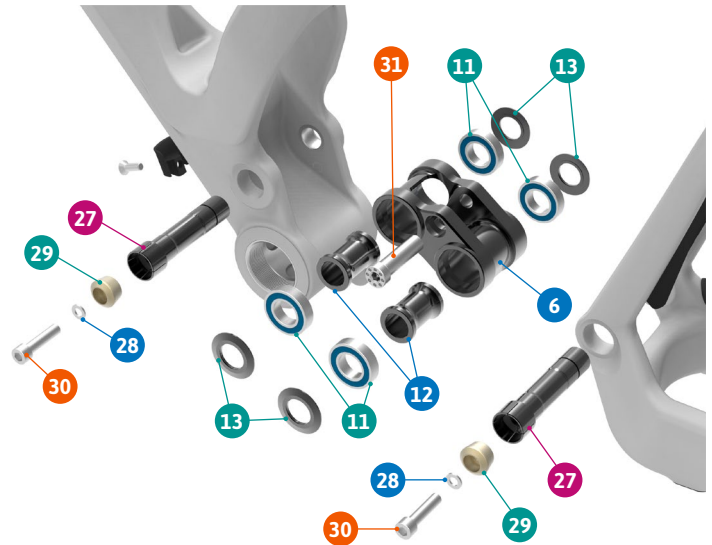
ITEM No.	DESCRIPTION	QTY.	PART NUMBER	TORQUE
1	FRONT TRIANGLE	1		
2	REAR TRIANGLE	1		
3	LINK, LEFT	1		
4	LINK, RIGHT	1		
5	LINK BRIDGE	1		
6	LOWER LINK	1		
7	CS-CHIP, LEFT, OUTER	1	STD DROPOUT KIT	
8	CS-CHIP, LEFT, INNER	1	STD DROPOUT KIT	
9	CS-CHIP, RIGHT, OUTER	1	STD DROPOUT KIT	
10	CS-CHIP, RIGHT, INNER	1	SET 5	
11	BEARING, 28x15x7	6	SET 1	
12	SPACER, 15x22x31	2	SET 4	
13	SPACER, 15x27x2	4	SET 4	
14	SPACER, 15x22x3	2	SET 3	
15	LINK AXLE	2	SET 3	11Nm
16	M8 THREAD AXLE	1	SET 3	
17	C-RING	2	SET 3	
18	BEARING, 10x22x6	2	SET 1	
19	C-RING	2	SET 3	
20	SPACER, 10x17x6	2	SET 2	
21	SHOCK BOLT	2	SET 2	8Nm

ITEM No.	DESCRIPTION	QTY.	PART NUMBER	TORQUE
22	BEARING, 24X15X5	4	SET 1	
23	SPACER, 15x19x2t	2	SET 3	
24	SPACER, 15x27x2	4	SET 3	
25	PIVOT AXLE, 26MM	2	SET 3	12Nm
26	PIVOT AXLE, M12	2	SET 3	
27	MAIN AXLE, 15x73L	2	SET 4	12Nm
28	SPACER	2	SET 4	
29	TAPER NUT	2	SET 4	
30	SCREW BOLT	2	SET 4	10Nm
31	SLEEVE BOLT	1	SET 2	12Nm
32	SCREW BOLT	4	SET 5	4Nm
33	DISC MOUNT ADAPTOR	1	099.18004	
34	SCREW BOLT	2	099.13006	8Nm
35	CABLE HOLDER	2	099.16004	
36	SCREW BOLT	3		3Nm
37	SEAT CLAMP	1	099.18001	
38	SCREW BOLT	1	099.12132	5Nm
39	CABLE HOLDER	1	099.15012	
40	CABLE RUBBER	4	989.13010	
41	CHAIN PTOECTOR	1	099.18003	
42	SHOCK FENDER	1	099.18002	

DETAIL 01



DETAIL 02



SET 1

ZERO BEARING KIT 14 (ENDURO BEARINGS)



SET 2

SHOCK HARDWARE ZERO 10



SET 3

UPPER LINK KIT 20



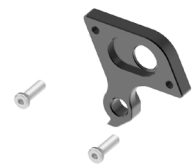
SET 4

LOWER LINK KIT 20



SET 5

HANGER M071



PART NUMBER	DESCRIPTION	COMPONENTS
099.18100	SET 1: ZERO BEARING KIT 14 (ENDURO BEARINGS)	ENDURO BEARING, 28x15x7 (x6) / ENDURO BEARING, 10x22x6 (x2) / ENDURO BEARING, 24X15X5 (x4)
099.18102	SET 2: SHOCK HARDWARE ZERO 10	SPACER, 10x17x6 (x2) / SHOCK BOLT (x2) / SLEEVE BOLT (x1)
099.18103	SET 3: UPPER LINK KIT 20	SPACER, 15x22x3 (x2) / LINK AXLE (x2) / M8 THREAD AXLE (x1) / C-RING (x2) / C-RING (x2) / SPACER, 15x19x2t (x2) / SPACER, 15x27x2 (x4) / PIVOT AXLE, 26MM (x2) / PIVOT AXLE, M12 (x2)
099.18104	SET 4: LOWER LINK KIT 20	SPACER, 15x22x31 (x2) / SPACER, 15x27x2 (x4) / MAIN AXLE, 15x73L (x2) / SPACER (x2) / TAPER NUT (x2) / SCREW BOLT (x2)
099.00058	SET 5: HANGER M071	CS-CHIP, RIGHT, INNER (x1) / SCREW BOLT (x2)
099.00059	M071 HANGER +10MM	CS-CHIP, RIGHT, INNER + 10MM (x1) / SCREW BOLT (x2)
099.18101	STANDARD DROPOUT KIT FOXY 18	CS-CHIP, LEFT, OUTER (x1) / CS-CHIP, LEFT, INNER (x1) / CS-CHIP, RIGHT, OUTER (x1) / CS-CHIP, RIGHT, INNER (x1) / SCREW BOLT (x4)
099.18105	GEOMETRY KIT FOXY 18 S	CS-CHIP, LEFT, INNER + 10MM (x1) / CS-CHIP, RIGHT, INNER + 10MM (x1) / LOW CUP 0° (x1) / TOP CUP 0° (x1) / LOW CUP 1° (x1) / TOP CUP 1° (SIZE SMALL) (x1)
099.18106	GEOMETRY KIT FOXY 18 M	CS-CHIP, LEFT, INNER + 10MM (x1) / CS-CHIP, RIGHT, INNER + 10MM (x1) / LOW CUP 0° (x1) / TOP CUP 0° (x1) / LOW CUP 1° (x1) / TOP CUP 1° (SIZE MEDIUM) (x1)
099.18107	GEOMETRY KIT FOXY 18 L	CS-CHIP, LEFT, INNER + 10MM (x1) / CS-CHIP, RIGHT, INNER + 10MM (x1) / LOW CUP 0° (x1) / TOP CUP 0° (x1) / LOW CUP 1° (x1) / TOP CUP 1° (SIZE LARGE) (x1)
099.18108	GEOMETRY KIT FOXY 18 XL	CS-CHIP, LEFT, INNER + 10MM (x1) / CS-CHIP, RIGHT, INNER + 10MM (x1) / LOW CUP 0° (x1) / TOP CUP 0° (x1) / LOW CUP 1° (x1) / TOP CUP 1° (SIZE XLARGE) (x1)