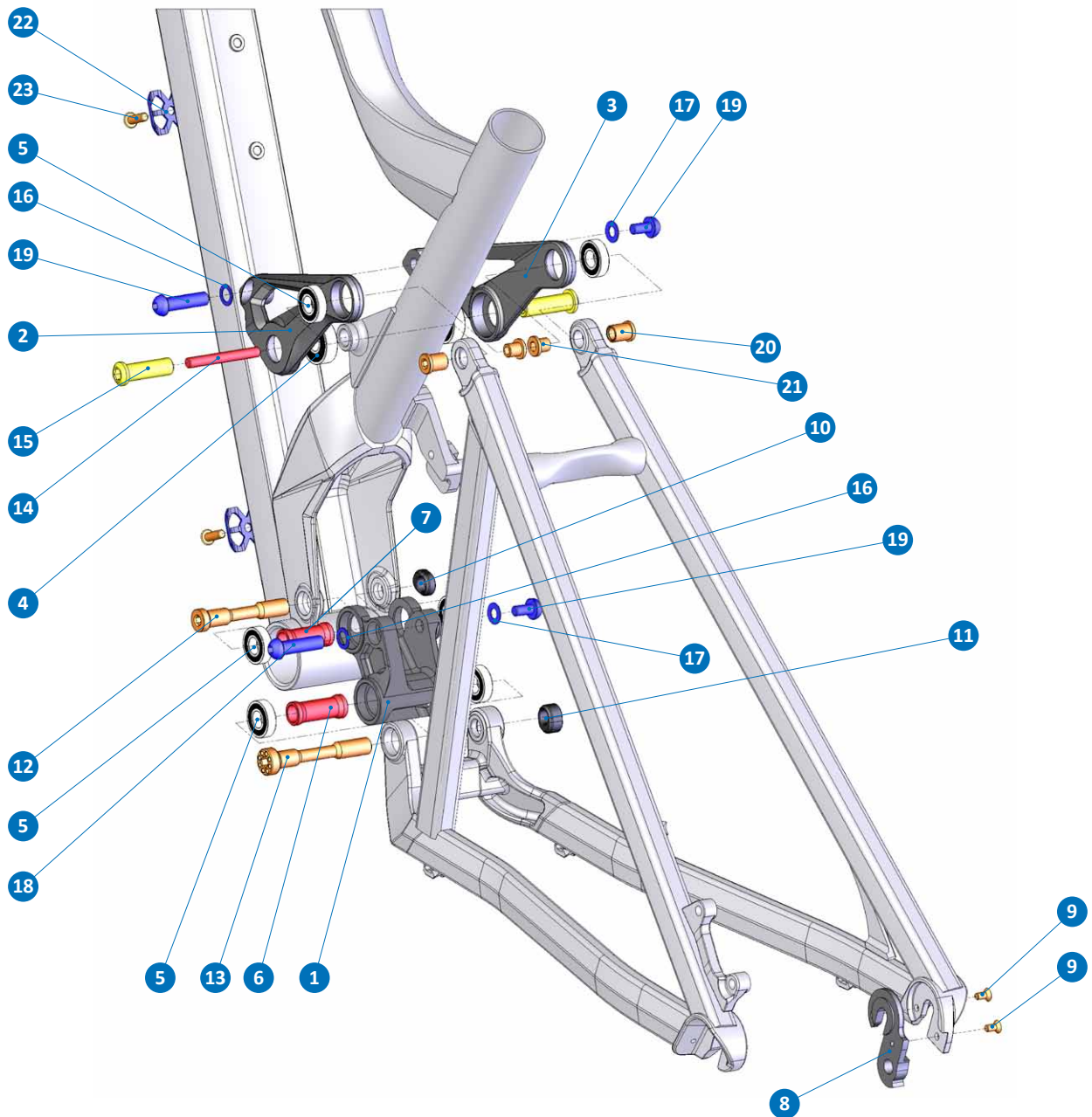


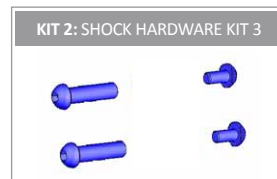
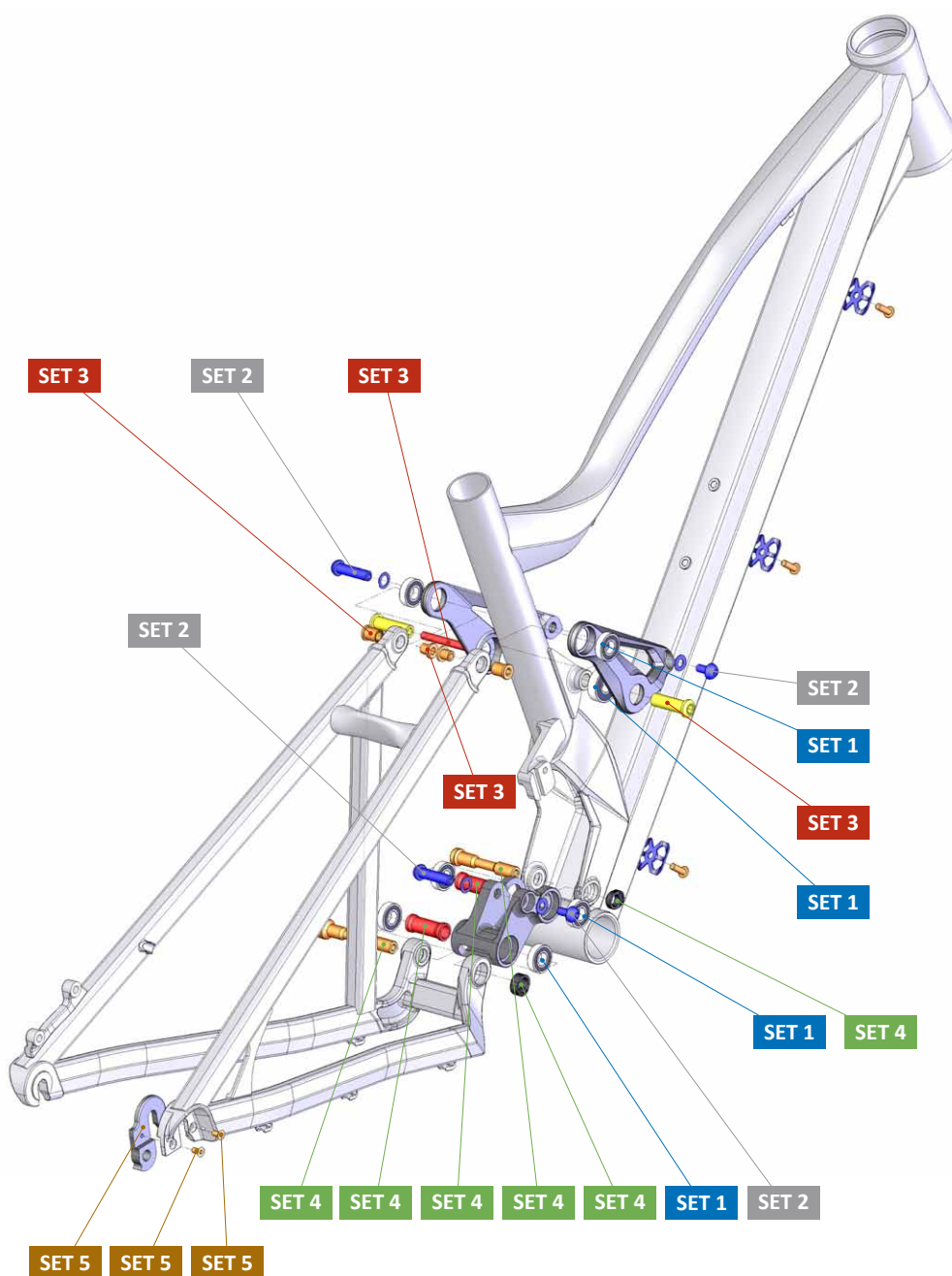
TRACKER



| ITEM No. | DESCRIPTION | QTY. |
|----------|--------------------|------|
| 1 | LOWER LINK | 1 |
| 2-3 | UPPER LINK | 1 |
| 4 | BEARING 6000-2RS | 2 |
| 5 | BEARING 6900-RS | 6 |
| 6 | SPACER D14x35 | 1 |
| 7 | SPACER D14x32 | 1 |
| 8 | HANGER M053 | 1 |
| 9 | SCREW BOLT M4x8L-M | 2 |
| 10 | AXLE NUT M10x5,75 | 1 |
| 11 | AXLE NUT M10x8.85 | 1 |
| 12 | PIVOT AXLE M10x55 | 1 |

| ITEM No. | DESCRIPTION | QTY. |
|----------|--------------------|------|
| 13 | PIVOT AXLE M10x63 | 1 |
| 14 | SCREW AXLE M6x40 | 1 |
| 15 | PIVOT AXLE M10x33 | 2 |
| 16 | WASHER M8 | 2 |
| 17 | WASHER M6 | 2 |
| 18 | SLEEVE BOLT D8x30L | 2 |
| 19 | SCREW BOLT M6XL12 | 2 |
| 20 | NUT D10xL11.5 | 2 |
| 21 | NUT M8x8.5 | 2 |
| 22 | CABLE HOLDER | 3 |
| 23 | SCREW BOLT | 3 |

TRACKER



| PART NUMBER | DESCRIPTION | COMPONENTS |
|---------------------------|-----------------------------|---|
| 099.12001 | SET 1: ZERO BEARING KIT | BEARING 6900-RS (x6) / BEARING 6000-2RS (x2) |
| 099.12023 | SET 2: SHOCK HARDWARE KIT 3 | SLEEVE BOLT D8x30L (x2) / SCREW BOLT M6xL12 (x2) |
| 099.12021 | SET 3: UPPER LINK KIT 5 | SCREW AXLE M6x40 (x1) / PIVOT AXLE M10x33 (x2) / NUT D10xL11.5 (x2) / NUT M8x8.5 (x2) |
| 099.13102 | SET 4: LOWER LINK KIT 10 | PIVOT AXLE M10x63 (x1) / AXLE NUT M10x8.85 (x1) / AXLE NUT M10x5,75 (x1) / SPACER D14x35 (x1) / SPACER D14x32 (x1) / PIVOT AXLE M10x55 (x1) |
| 099.13109 | SET 5: HANGER KIT 10 | HANGER M053 (x1) / M4x8L-M SCREW BOLT (x2) |