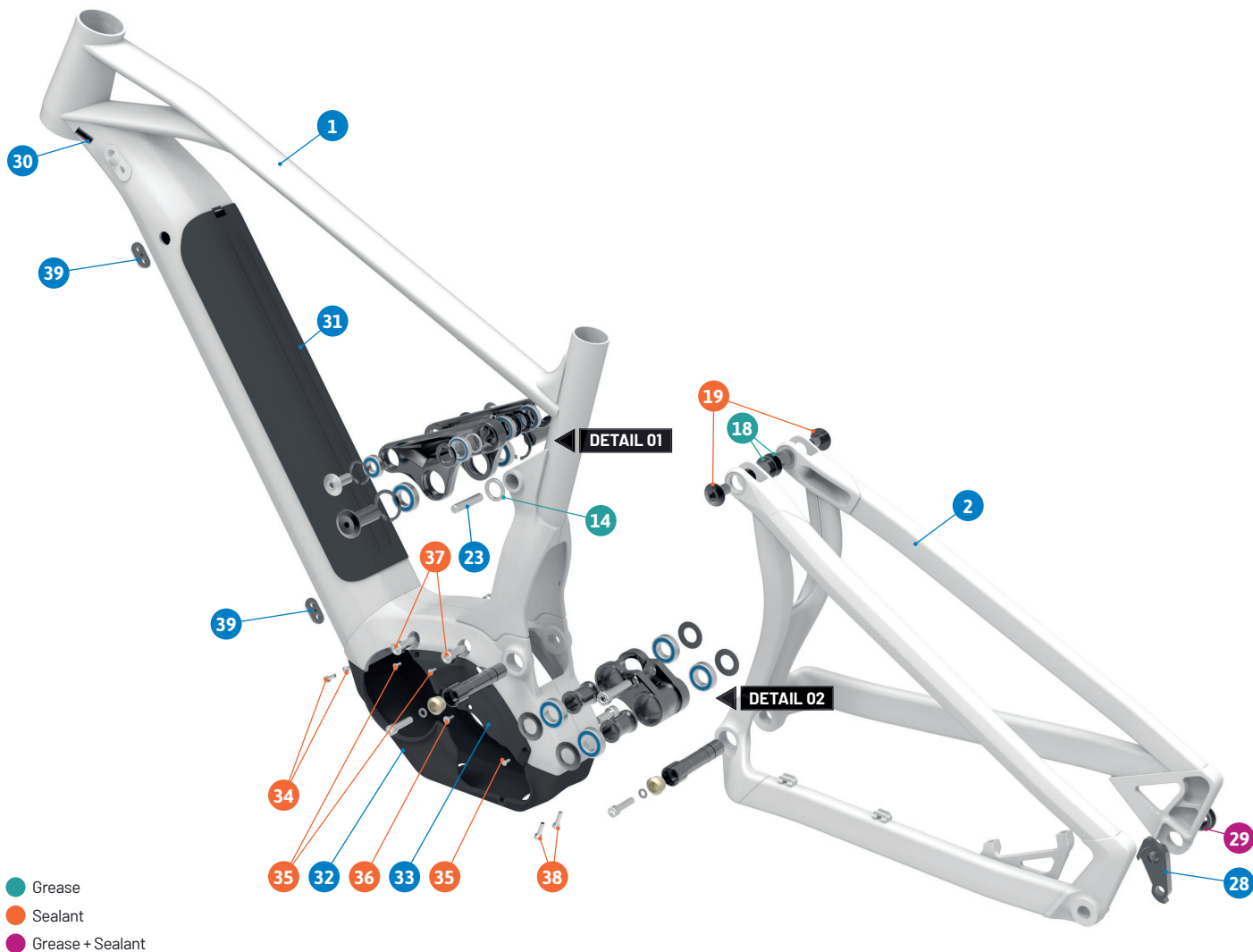


CRAFTY + / LEVEL

Spare Parts



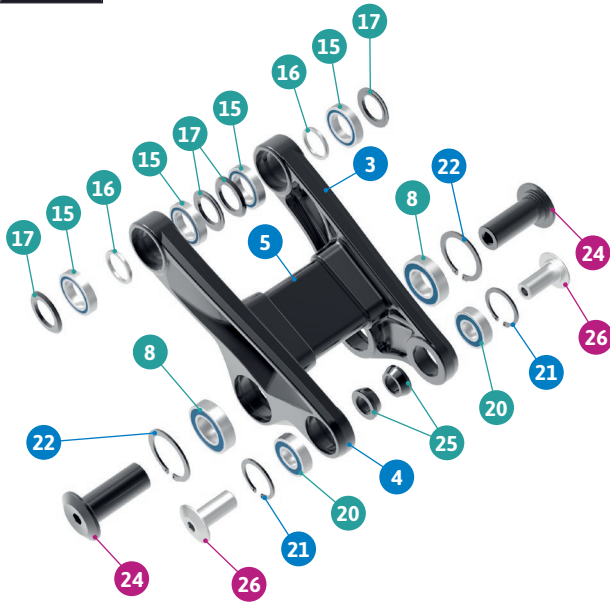
- Grease
- Sealant
- Grease + Sealant

Apply grease to the shaft,
and sealant to the threads

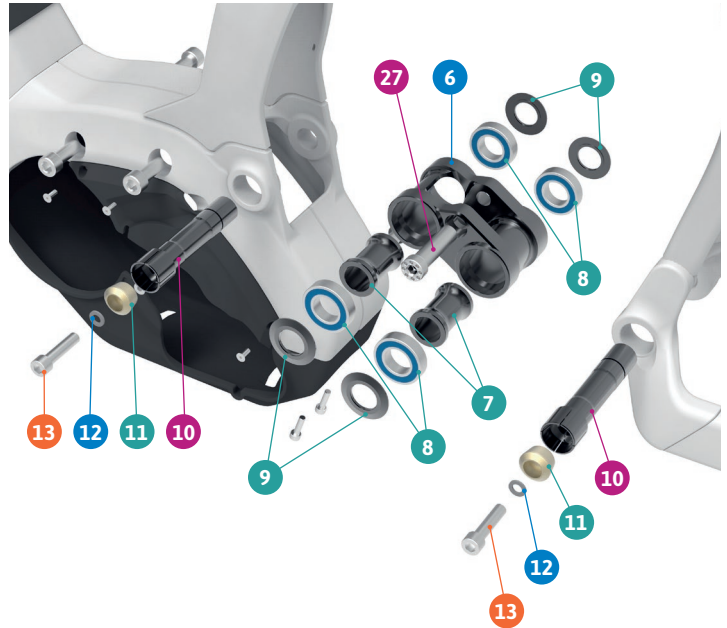
ITEM No.	DESCRIPTION	QTY.	PART NUMBER	TORQUE
1	FRONT TRIANGLE	1		
2	REAR TRIANGLE	1		
3	LINK, LEFT	1		
4	LINK, RIGHT	1		
5	LINK BRIDGE	1		
6	LOWER LINK	1		
7	SPACER, 15x22x31	2	SET4	
8	BEARING, 28x15x7	6	SET1	
9	SPACER, 15x27x2	4	SET4	
10	MAIN AXLE	2	SET4	12Nm
11	TAPER NUT	2	SET4	
12	SPACER	2	SET4	
13	SCREW BOLT	2	SET4	10Nm
14	SPACER, 15x22x3	2	SET3	
15	BEARING, 24X15X5	4	SET1	
16	SPACER, 15x19x2t	2	SET3	
17	SPACER, 15x27x2	4	SET3	
18	PIVOT AXLE, 26MM	2	SET3	
19	PIVOT AXLE, M12	2	SET3	12Nm
20	BEARING, 10x22x6	2	SET1	

ITEM No.	DESCRIPTION	QTY.	PART NUMBER	TORQUE
21	C-RING	2	SET3	
22	C-RING	2	SET3	
23	M8 THREAD AXLE	1	SET3	
24	LINK AXLE	2	SET3	11Nm
25	SPACER, 10x17x6	2	SET2	
26	SHOCK BOLT	2	SET2	8Nm
27	SLEEVE BOLT	1	SET2	12Nm
28	HANGER	1	SET5	
29	HANGER NUT	1	SET5	4Nm
30	CABLE ADAPTOR	1		
31	BATTERY COVER	1	099.18016	
32	MOTOR COVER, LOWER	1	099.18017	
33	MOTOR COVER, LEFT	1	099.18018	
34	SCEW BOLT	2		4Nm
35	SCREW BOLT	4		3Nm
36	SCREW BOLT	1		3Nm
37	SCREW BOLT	5		8Nm
38	SCEW BOLT	2		4Nm
39	BOLT COVER	2	099.18019	

DETAIL 01



DETAIL 02



SET 1	SET 2	SET 3	SET 4	SET 5
ZERO BEARING KIT 14 (ENDURO BEARINGS)	SHOCK HARDWARE ZERO 10	UPPER LINK KIT 20	LOWER LINK KIT 21	HANGER M067

PART NUMBER	DESCRIPTION	COMPONENTS
099.18100	SET 1: ZERO BEARING KIT 14 (ENDURO BEARINGS)	ENDURO BEARING, 28x15x7 (x6) / ENDURO BEARING, 10x22x6 (x2) / ENDURO BEARING, 24x15x5 (x4)
099.18102	SET 2: SHOCK HARDWARE KIT 10	SPACER, 10x17x6 (x2) / SHOCK BOLT (x2) / SLEEVE BOLT (x1)
099.18103	SET 3: UPPER LINK KIT 20	SPACER, 15x22x3 (x2) / LINK AXLE (x2) / M8 THREAD AXLE (x1) / C-RING (x2) / C-RING (x2) / SPACER, 15x19x2t (x2) / SPACER, 15x27x2 (x4) / PIVOT AXLE, 26MM (x2) / PIVOT AXLE, M12 (x2)
099.18111	SET 4: LOWER LINK KIT 21	SPACER, 15x22x31 (x2) / MAIN AXLE (x2) / TAPER NUT (x2) / SPACER (x2) / SCREW BOLT (x2) / SPACER, 15x27x2 (x4)
099.00054	SET 5: HANGER M067	HANGER (x1), HANGER NUT (x1)