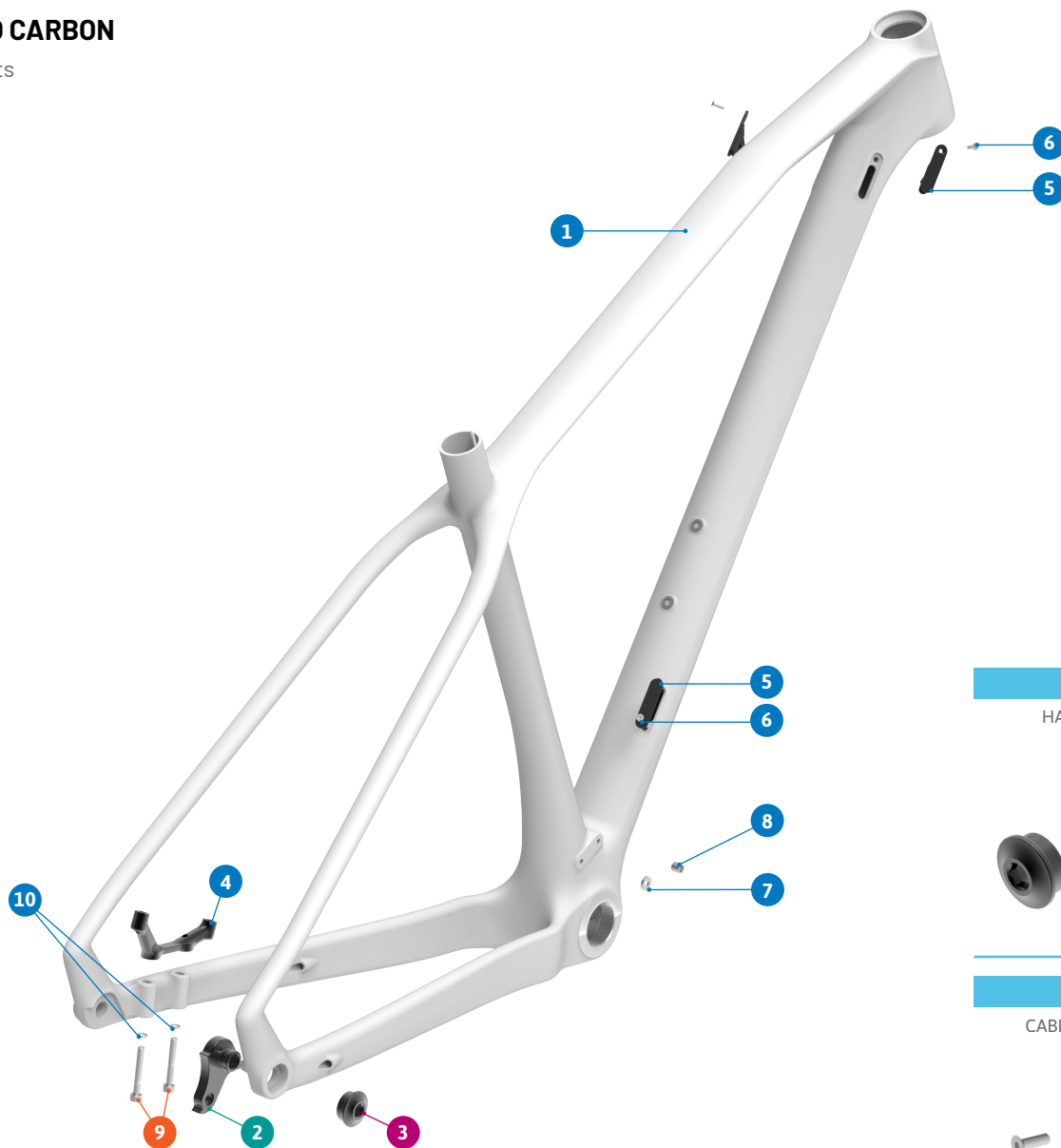


# CHRONO CARBON

Spare Parts



- Grease
- Sealant
- Grease + Sealant

Apply grease to the shaft, and sealant to the threads

## SET 1

HANGER M068



## SET 2

CABLE GUIDE KIT 3



## SET 3

DISC ADAPTOR KIT 2



ITEM No.	DESCRIPTION	QTY.	PART NUMBER	TORQUE
1	FRAME	1		
2	HANGER	1	SET 1	
3	HANGER NUT	1	099.16011	4Nm
4	DISC ADAPTOR	1	SET 3	
5	CABLE GUIDE	3	SET 2	
6	SCREW BOLT M3x10	3	SET 2	3Nm
7	WASHER	2		
8	WASHER	2		
9	SCREW BOLT M5x35	2	SET 3	
10	WASHER	2	SET 3	

PART NUMBER	DESCRIPTION	COMPONENTS
099.00055	SET 1: HANGER M068	HANGER M068 (x1) / HANGER NUT (x1)
099.19010	SET 2: CABLE GUIDE KIT 3	CABLE GUIDE (x3) / SCREW BOLT (x3)
111.19080	SET 3: DISC ADAPTOR KIT 2	DISC ADAPTOR KIT 2 (x1) / SCREW BOLT (x2) / WASHER (x2)
099.17005	CHAINSTAY ADHESIVE PROTECTOR	
112.90022	REAR AXLE	12X148 P1.75 L180