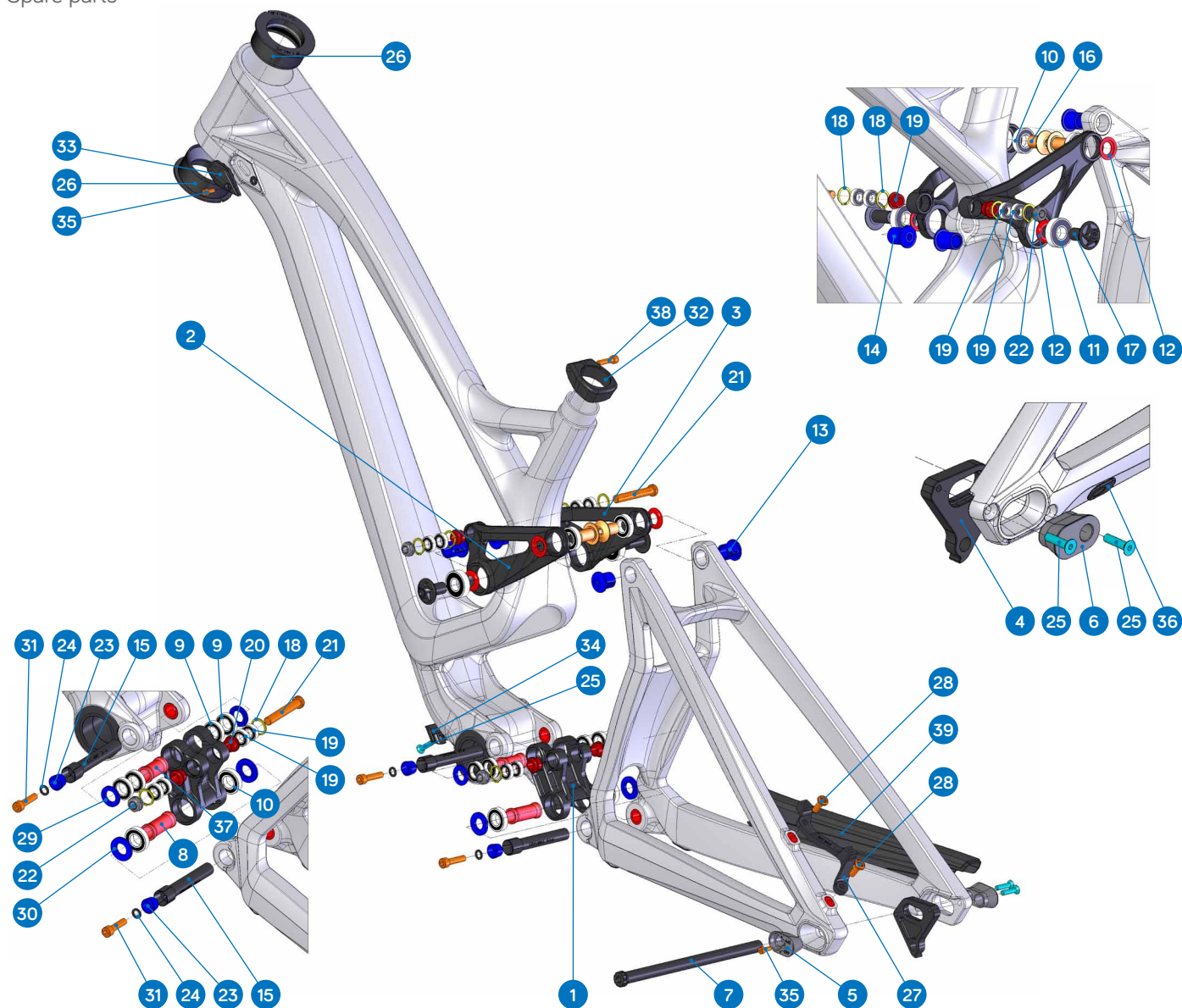


SUMMUM CARBON

Spare parts

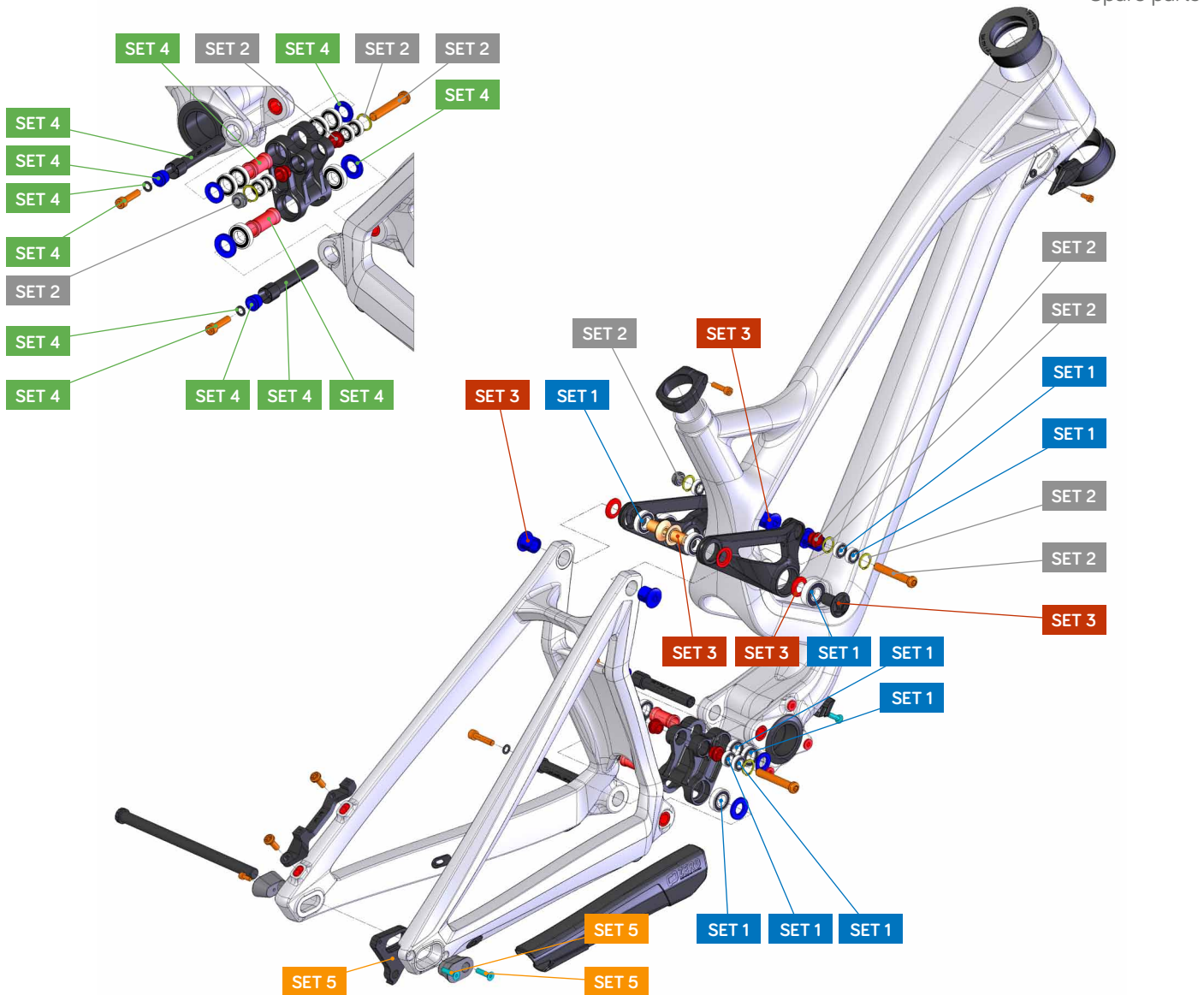


ITEM No.	DESCRIPTION	QTY.
1	LOWER LINK	1
2	UPPER LINK, LEFT	1
3	UPPER LINK, RIGHT	1
4	HANGER M063	1
5	CHIP, LEFT 445/460	1
6	CHIP, RIGHT 445/460	1
7	HUB AXLE	1
8	SPACER D x37	1
9	BEARING 6801V-2RS (INT. 12MM. EXT 21MM)	4
10	BEARING 6901V-2RS (INT. 12MM. EXT 24MM)	4
11	BEARING 6001V-2RS (INT. 12MM. EXT 28MM)	2
12	SPACER D x3	4
13	PIVOT AXLE 18MM	2
14	PIVOT AXLE 22MM	2
15	PIVOT AXLE 80,5MM	2
16	PIVOT AXLE M12x	2
17	PIVOT AXLE M12x	2
18	O-RING	6
19	BEARING 688-RS (INT. 8MM. EXT 16MM)	8
20	SHOCK SPACER	4

ITEM No.	DESCRIPTION	QTY.
21	SHOCK BOLT M8	2
22	BOLT NUT M8	2
23	TAPER NUT	2
24	SPACER D x	2
25	M5x20L-M-S SCREW BOLT	3
26	HS ADAPTOR, 0°	2
27	DISC MOUNT 445	1
28	M6X16 SCREW	2
29	SPACER D x3	2
30	SPACER D x3	2
31	M6x25L-P-S SCREW BOLT	2
32	SEAT CLAMP 34.9	1
33	FORK BUMPER	2
34	CABLE HOLDER	1
35	M4x10L-P-S SCREW BOLT	3
36	CABLE RUBBER	4
37	SPACER D x29	1
38	M5x20L-P SCREW BOLT	1
39	CHAIN PROTECTOR	1

SUMMUM CARBON

Spare parts



SET 1	SET 2	SET 3	SET 4	SET 5
ZERO BEARING KIT 10	SHOCK HARDWARE ZERO 7	UPPER LINK HARDWARE KIT 15	LOWER LINK HARDWARE KIT 15	HANGER M063

PART NUMBER	DESCRIPTION	COMPONENTS
099.15500	SET 1: ZERO BEARING KIT 10	BEARING 6001V-2RS (INT. 12MM. EXT 28MM) (x2) / BEARING 688-RS (INT. 8MM. EXT 16MM) (x8) / BEARING 6901V-2RS (INT. 12MM. EXT 24MM) (x4) / BEARING 6801V-2RS (INT. 12MM. EXT 21MM) (x4)
099.13104	SET 2: SHOCK HARDWARE ZERO 7	O-RING (x6) / SHOCK SPACER (x4) / SHOCK BOLT M8 (x2) / BOLT NUT M8 (x2)
099.15501	SET 3: UPPER LINK HARDWARE KIT 15	PIVOT AXLE 18MM (x2) / PIVOT AXLE 22MM (x2) / PIVOT AXLE M12x (x2) / PIVOT AXLE M12x (x2) / SPACER D x3 (x4)
099.15502	SET 4: LOWER LINK HARDWARE KIT 15	PIVOT AXLE 80.5MM (x2) / SPACER D x37 (x1) / SPACER D x3 (x2) / SPACER D x3 (x2) / SPACER D x (x2) / TAPER NUT (x2) / SPACER D x29 (x1) / M6x25L-P-S SCREW BOLT (x2)
099.00046	SET 5: HANGER M063	HANGER M063 (x1) + M5x20L-M-S SCREW BOLT (x2)
099.15503	GEOMETRY KIT SUMMUM C	DISC MOUNT 450 (x1) / DISC MOUNT 455 (x1) / DISC MOUNT 460 (x1) / CHIP, LEFT 450/455 (x1) / CHIP, RIGHT 450/455 (x1) / HS ADAPTOR 1° (x2) / HS ADAPTOR 2° (x2)